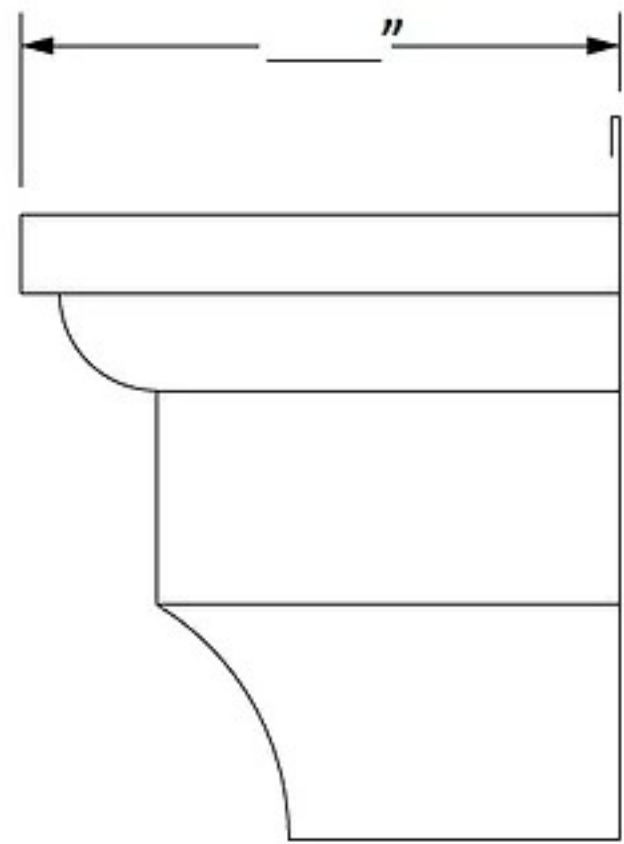
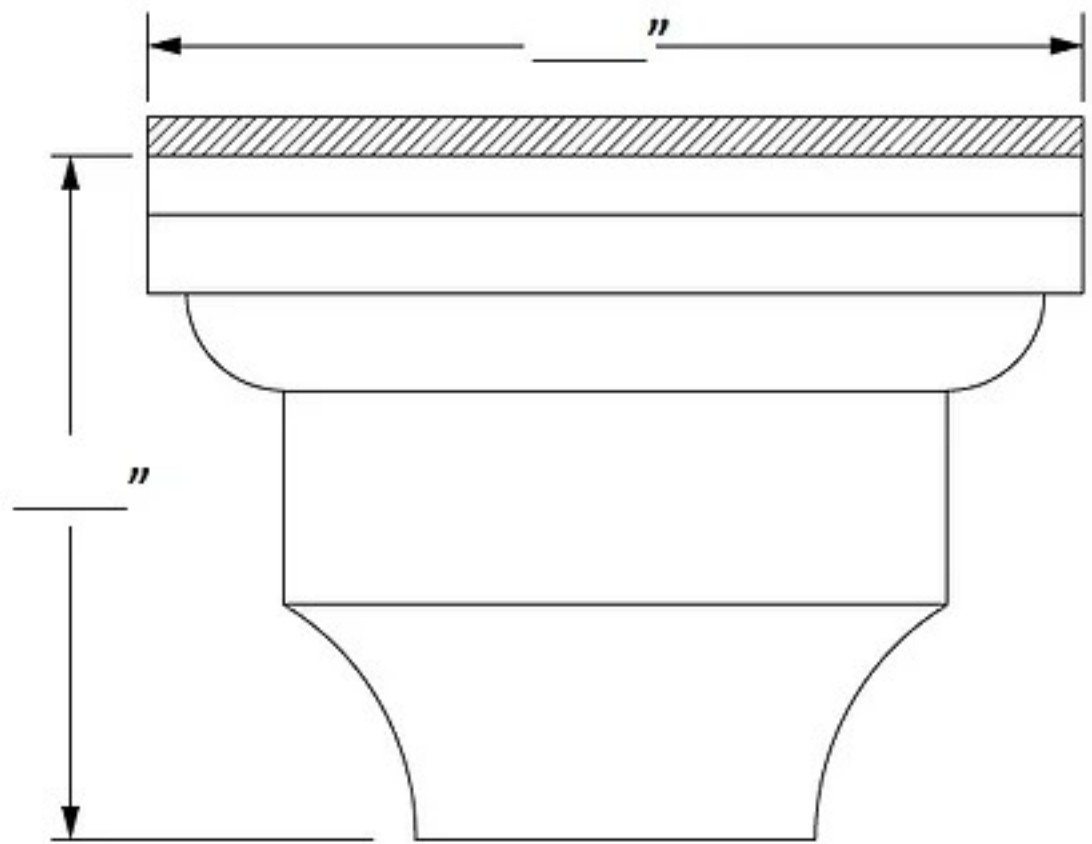


Conductor Head

Sheets Used:



Due Date:

Job #:



- *Drop outlet:**
- Round: 3" ___ 4" ___ 5" ___ 6" ___
 - Octagonal: 2"x3" ___ 3"x4" ___ 4"x5" ___ 5"x6" ___

MATERIAL

- Aluminum Kynar .032 or ___ Color _____
- Galvanized G-90 24 Gauge
- Stainless Steel Type 304
- Painted Steel Kynar 24/26Gauge Color _____
- Copper 16/20 oz or _____
- Patina 3000 16/20 oz _____
- Brown Copper 16/20 oz _____ Light Dark
- SMS Stainless 24G _____
- Zinc _____

Conductor Head quantity: _____ pcs.

CUSTOMER APPROVAL	
<input type="checkbox"/> Approved for Fabrication	
_____ <small>Authorized Customer Signature</small>	
Job Address:	
PO #:	Order taken by:
Date Ordered:	Phone #:

CHICAGO METAL SUPPLY
and fabrication, inc.
For a Timeless Look

4940 W. Grand Ave. P: (773) 227-6200
Chicago, IL 60639 F: (773) 227-1700

info@chicagometalsupply.com

Completed By:

Estimate #: