

Chimney Cap

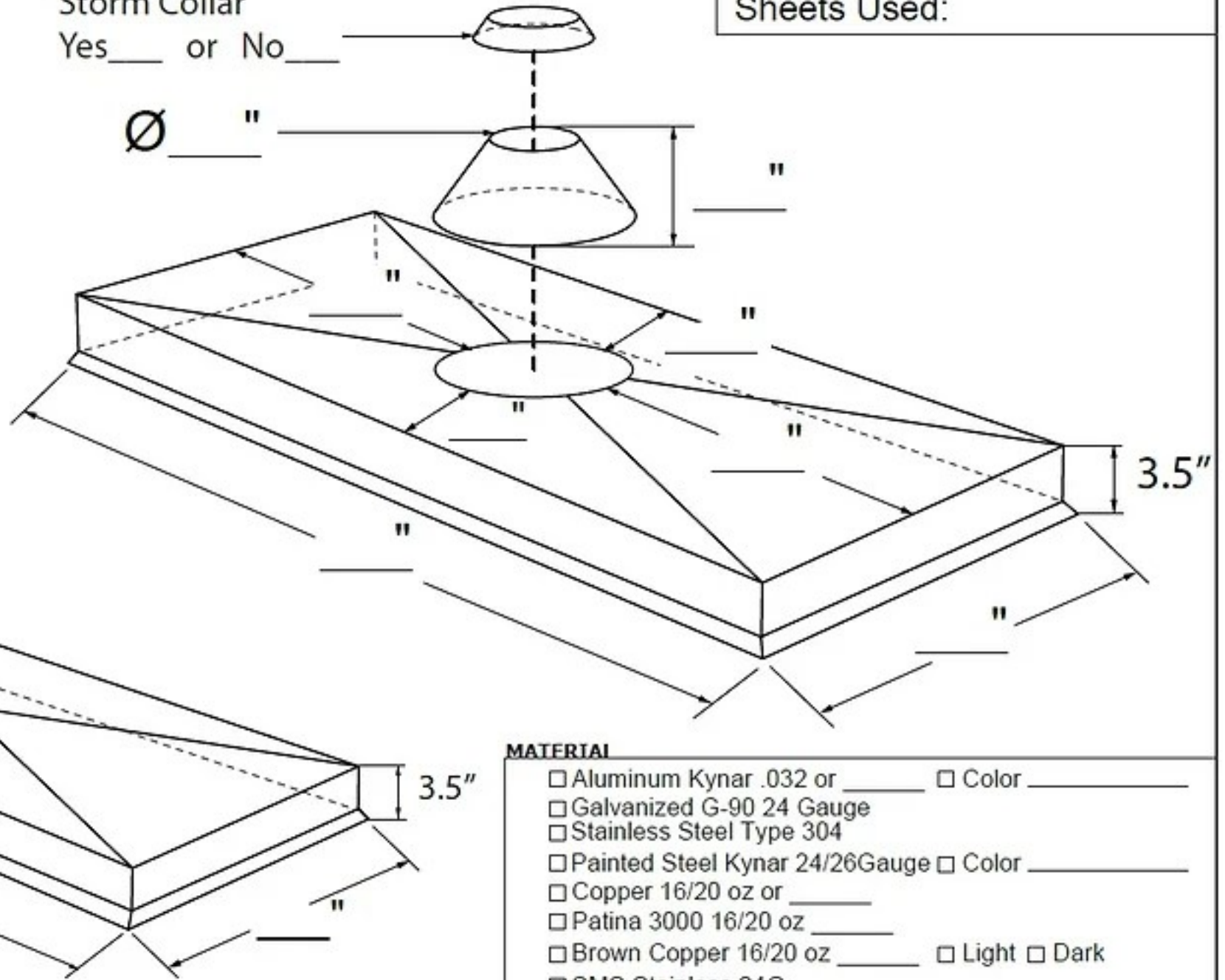
Sheets Used:

Ø - diameter

Storm Collar

Yes ___ or No ___

Ø ___"



MATERIAL

- Aluminum Kynar .032 or ___ Color _____
- Galvanized G-90 24 Gauge
- Stainless Steel Type 304
- Painted Steel Kynar 24/26Gauge Color _____
- Copper 16/20 oz or ___
- Patina 3000 16/20 oz ___
- Brown Copper 16/20 oz ___ Light Dark
- SMS Stainless 24G ___
- Zinc ___

CUSTOMER APPROVAL

Approved for Fabrication

Authorized Customer Signature _____

Job Address: _____

PO #: _____

Date Ordered: _____

Order taken by: _____

Phone #: _____



CHICAGO METAL SUPPLY

and fabrication, inc.

For a Timeless Look

4940 W. Grand Ave. P: (773) 227-6200

Chicago, IL 60639 F: (773) 227-1700

info@chicagometalsupply.com

Due Date:

Job #:

Estimate #:

Completed By: _____