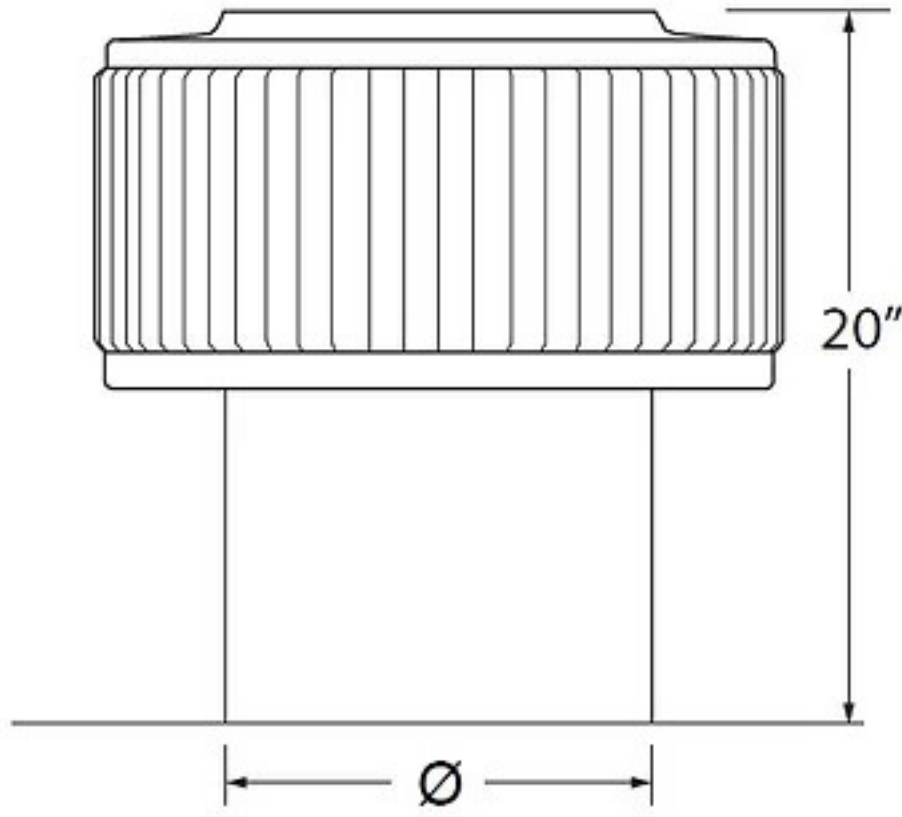
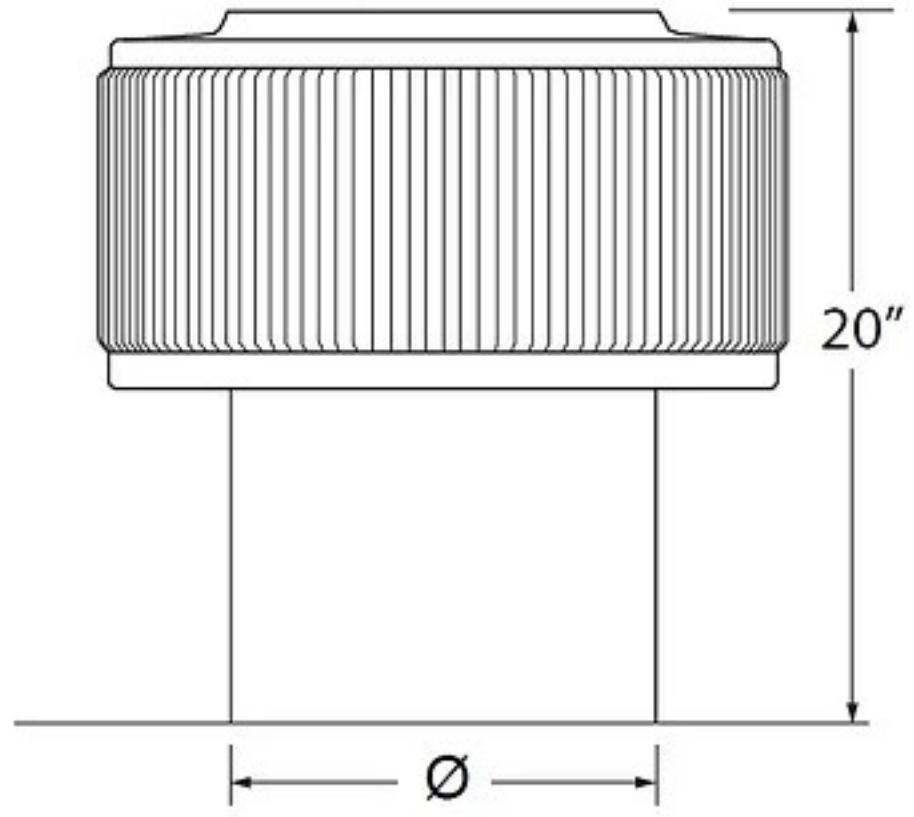


Aura Vent

Sheets Used:



One-Way Breather Vent



Two-Way Breather Vent

CFM RATING

Ø:	<u>Square Inches</u>	<u>Square Foot</u>
<input type="checkbox"/> 6"	29	.19
<input type="checkbox"/> 8"	50	.35
<input type="checkbox"/> 10"	79	.55
<input type="checkbox"/> 12"	113	.78

MATERIAL

MILL FINISH ALUMINUM ONLY



CHICAGO METAL SUPPLY
and fabrication, inc.
For a Timeless Look

4940 W. Grand Ave. P: (773) 227-6200
Chicago, IL 60639 F: (773) 227-1700

info@chicagometalsupply.com

CUSTOMER APPROVAL

Approved for Fabrication

Authorized Customer Signature

Job Address:

PO #:

Date Ordered:

Order taken by:

Phone #:

Due Date:

Job #:

Estimate #:

Completed By: