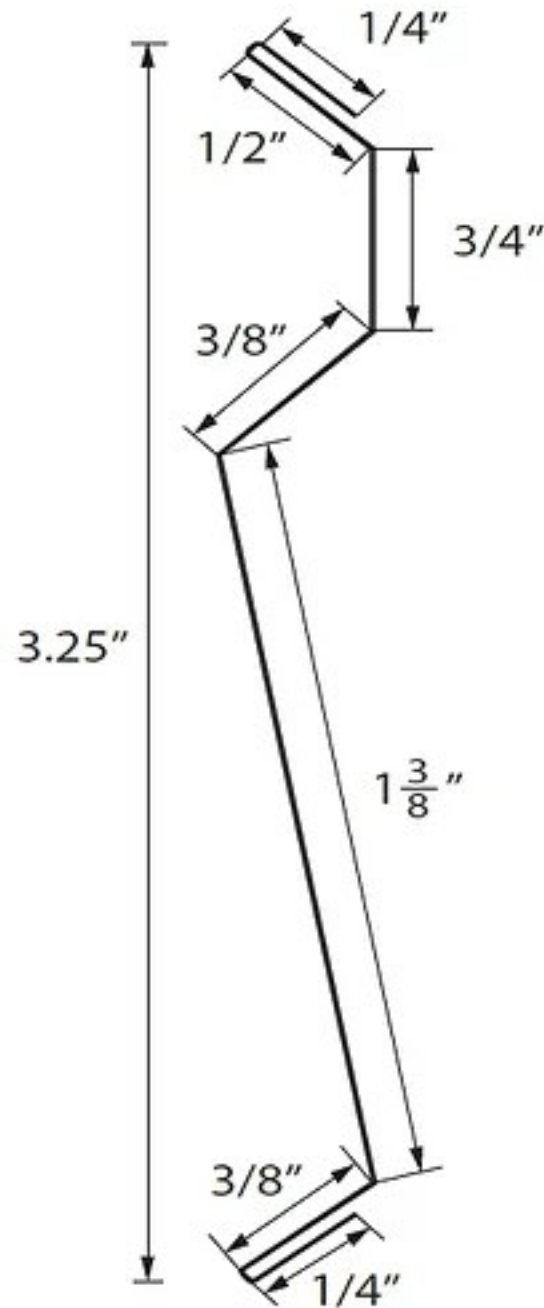


1PC Counter Flashing 3.25" CMS Standard

Sheets Used:

Due Date:

Job #:



QTY: _____ pc(s)

MATERIAL

- Aluminum Kynar .032 or _____ Color _____
- Galvanized G-90 24 Gauge
- Stainless Steel Type 304
- Painted Steel Kynar 24/26 Gauge Color _____
- Copper 16/20 oz or _____
- Patina 3000 16/20 oz _____
- Brown Copper 16/20 oz _____ Light Dark
- SMS Stainless 24G _____
- Zinc _____

CUSTOMER APPROVAL

Approved for Fabrication

Authorized Customer Signature

Job Address:

PO #:

Date Ordered:

Order taken by:

Phone #:



CHICAGO METAL SUPPLY

and fabrication, inc.

For a Timeless Look

4940 W. Grand Ave. P: (773) 227-6200

Chicago, IL 60639 F: (773) 227-1700

info@chicagometalsupply.com

Completed By:

Estimate #: