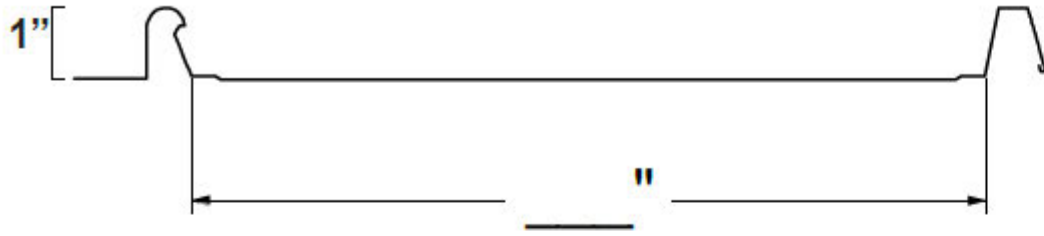


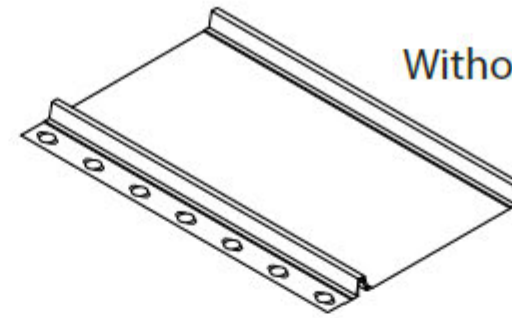
Σ = Girth

# S.L. 100 - Snaplock Panel

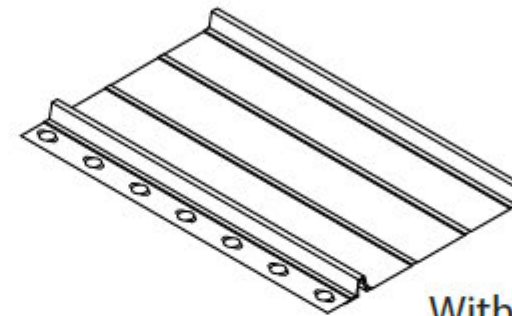
Sheets/Coil Used: \_\_\_\_\_



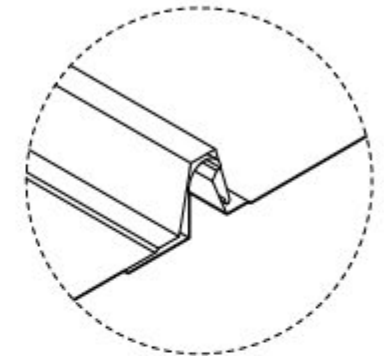
**PANEL LENGTH/QUANTITIES**



Without Striation



With Striation



Clip QTY: \_\_\_\_\_

Min Pitch =  $\frac{3}{12}$

**MATERIAL**

- Aluminum Kynar .032 or \_\_\_\_\_  Color \_\_\_\_\_
- Galvanized G-90 24 Gauge
- Stainless Steel Type 304
- Painted Steel Kynar 24 Gauge  Color \_\_\_\_\_
- Copper 16/20 oz or \_\_\_\_\_
- Patina 3000 16/20 oz \_\_\_\_\_
- Brown Copper 16/20 oz \_\_\_\_\_  Light  Dark
- SMS Stainless 24G \_\_\_\_\_
- Zinc \_\_\_\_\_

**CUSTOMER APPROVAL**

Approved for Fabrication

Authorized Customer Signature \_\_\_\_\_

Job Address: \_\_\_\_\_

PO #: \_\_\_\_\_

Date Ordered: \_\_\_\_\_

Order taken by: \_\_\_\_\_

Phone #: \_\_\_\_\_



**CHICAGO METAL SUPPLY**

and fabrication, inc.

*For a Timeless Look*

4940 W. Grand Ave. P: (773) 227-6200

Chicago, IL 60639 F: (773) 227-1700

info@chicagometalsupply.com

Completed By: \_\_\_\_\_

Estimate #: \_\_\_\_\_

Due Date: \_\_\_\_\_

Job #: \_\_\_\_\_