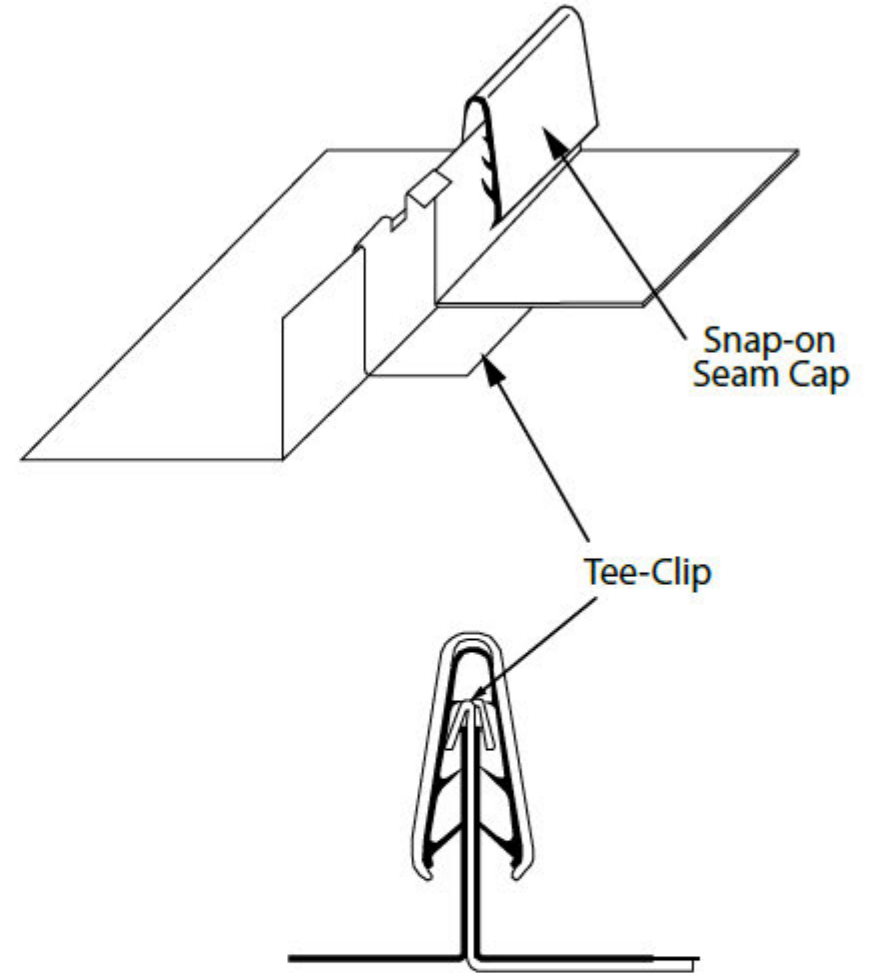
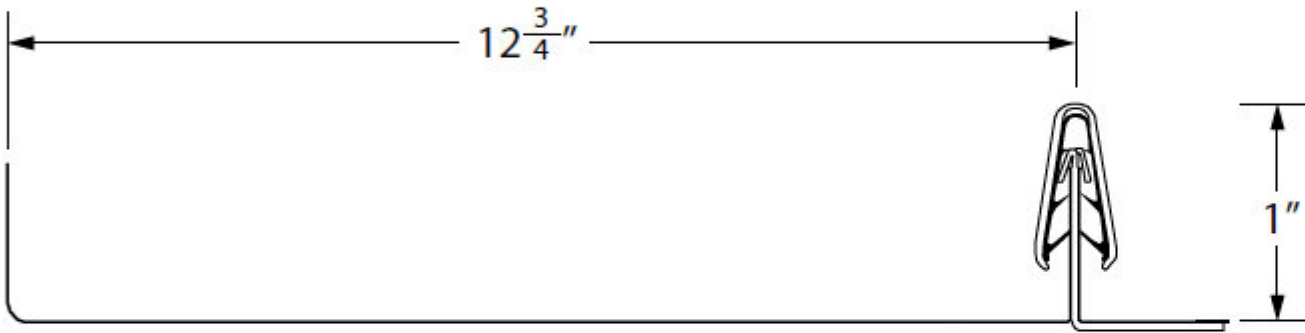
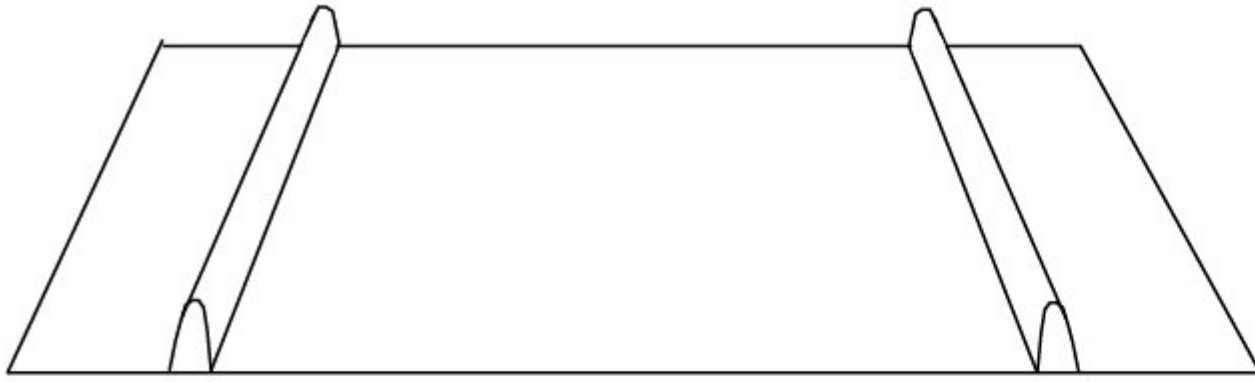
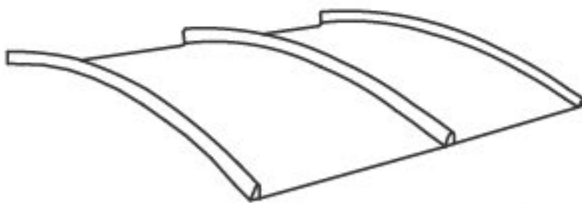


Berridge Tee-Panel

Sheets Used:



Curved Tee-Panel Available



- UL 90 wind uplift listed
- UL fire resistant listed
- ASTM air & water resistance tested
- ASTM E-1592 tested

MATERIAL

- Aluminum Kynar .032 or _____ Color _____
- Painted Steel Kynar 24 Gauge (Berridge Standard Color)

CUSTOMER APPROVAL

Approved for Fabrication

Authorized Customer Signature _____

Job Address: _____

PO #: _____

Date Ordered: _____

Order taken by: _____

Phone #: _____



CHICAGO METAL SUPPLY

and fabrication, inc.

For a Timeless Look

4940 W. Grand Ave. P: (773) 227-6200

Chicago, IL 60639 F: (773) 227-1700

info@chicagometalsupply.com

Completed By: _____

Estimate #: _____

Due Date: _____

Job #: _____