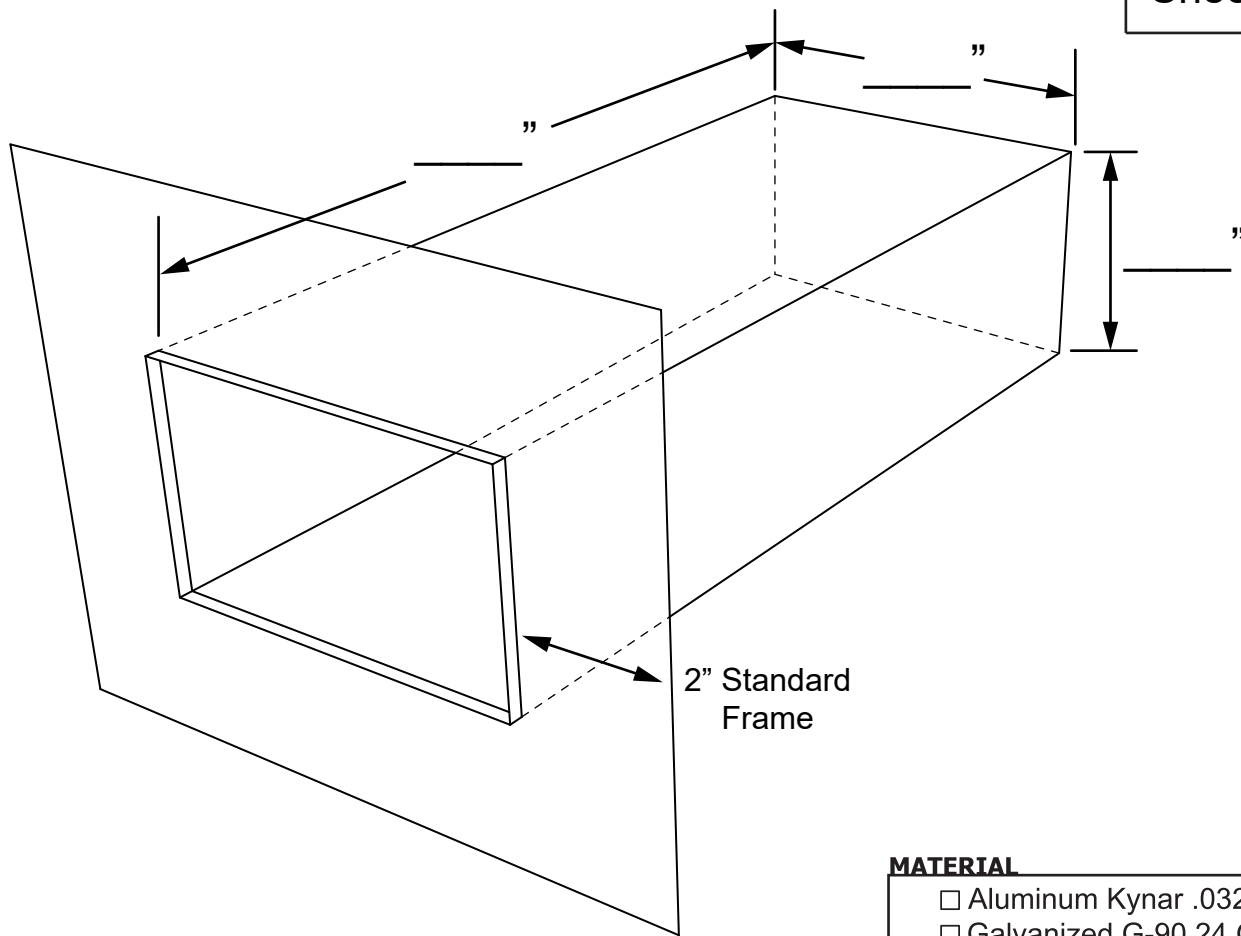


# Thru Wall Overflow

Sheets Used:



2" Standard Frame

**MATERIAL**

- Aluminum Kynar .032 or \_\_\_\_\_  Color \_\_\_\_\_
- Galvanized G-90 24 Gauge
- Stainless Steel Type 304
- Painted Steel Kynar 24/26Gauge  Color \_\_\_\_\_
- Copper 16/20oz, Freedom Gray, or Lead-Coated \_\_\_\_\_
- Patina 3000 16/20 oz \_\_\_\_\_
- Brown Copper 16/20 oz \_\_\_\_\_  Light  Dark
- SMS Stainless 24G \_\_\_\_\_
- Zinc \_\_\_\_\_

Due Date:

Job #:

**CUSTOMER APPROVAL**

Approved for Fabrication \_\_\_\_\_  
Authorized Customer Signature

---

Job Address: \_\_\_\_\_

---

PO #: \_\_\_\_\_ Order taken by: \_\_\_\_\_

---

Date Ordered: \_\_\_\_\_ Phone #: \_\_\_\_\_



**CHICAGO METAL SUPPLY**  
 and fabrication, inc.  
*For a Timeless Look*

4940 W. Grand Ave. P: (773) 227-6200  
 Chicago, IL 60639 F: (773) 227-1700

info@chicagometalsupply.com

Completed By:

Estimate #: