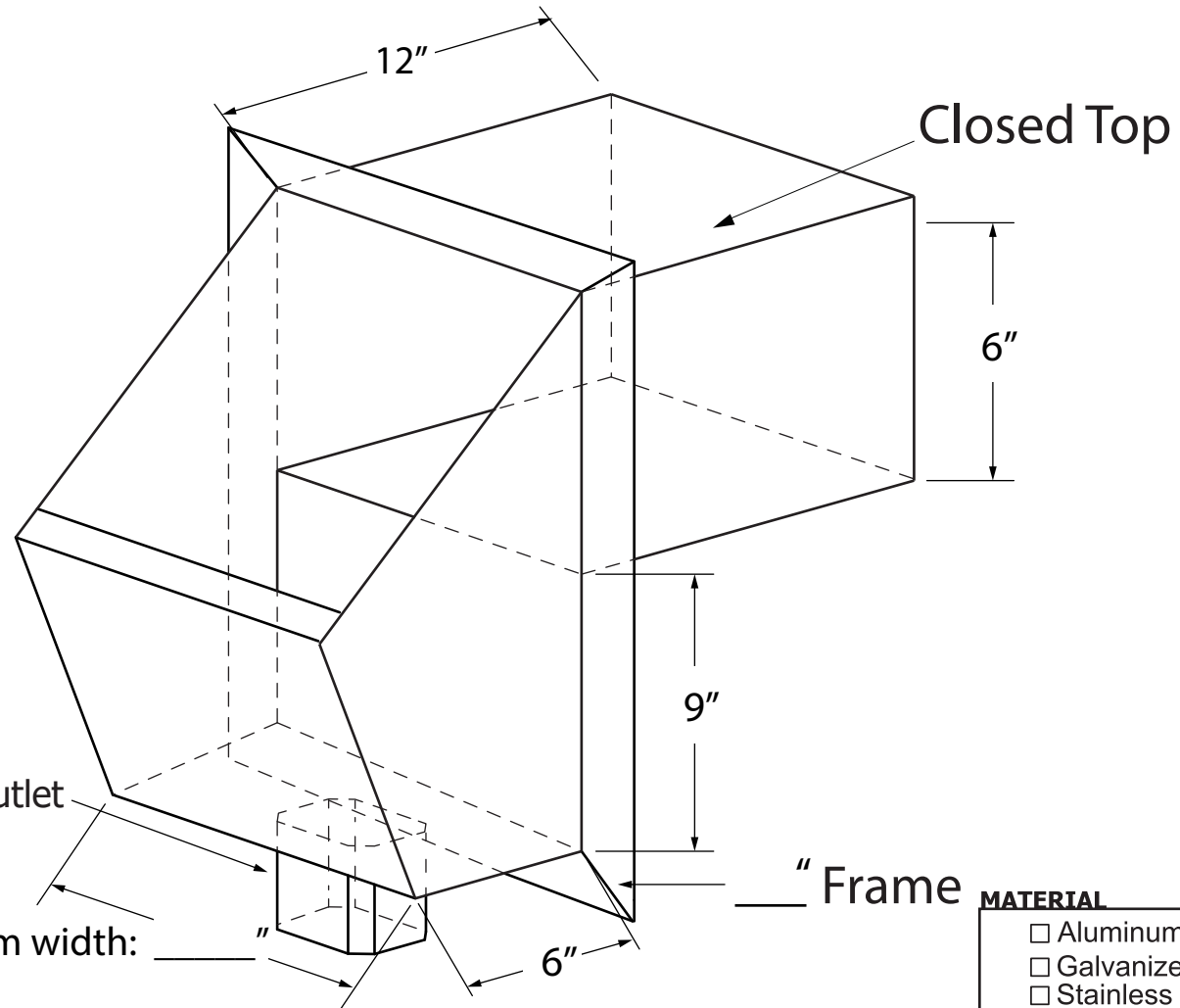


# Covered Scupper Box

Sheets Used: \_\_\_\_\_

Due Date:



**\*Drop outlet:**

- |                                   |                                      |
|-----------------------------------|--------------------------------------|
| Round                             | Octagonal                            |
| <input type="checkbox"/> 3" _____ | <input type="checkbox"/> 2"x3" _____ |
| <input type="checkbox"/> 4" _____ | <input type="checkbox"/> 3"x4" _____ |
| <input type="checkbox"/> 5" _____ | <input type="checkbox"/> 4"x5" _____ |
| <input type="checkbox"/> 6" _____ | <input type="checkbox"/> 5"x6" _____ |

QTY: \_\_\_\_\_ pc(s)

Job #:

- MATERIAL**
- Aluminum Kynar .032 or \_\_\_\_\_  Color \_\_\_\_\_
  - Galvanized G-90 24 Gauge
  - Stainless Steel Type 304
  - Painted Steel Kynar 24/26Gauge  Color \_\_\_\_\_
  - Copper 16/20 oz or \_\_\_\_\_
  - Patina 3000 16/20 oz \_\_\_\_\_
  - Brown Copper 16/20 oz \_\_\_\_\_  Light  Dark
  - SMS Stainless 24G \_\_\_\_\_
  - Zinc \_\_\_\_\_

Completed By: \_\_\_\_\_

<b>CUSTOMER APPROVAL</b>	
<input type="checkbox"/> Approved for Fabrication	_____ <small>Authorized Customer Signature</small>
Job Address: _____	
PO #: _____	Order taken by: _____
Date Ordered: _____	Phone #: _____



**CHICAGO METAL SUPPLY**  
and fabrication, inc.  
*For a Timeless Look*

4940 W. Grand Ave. P: (773) 227-6200  
Chicago, IL 60639 F: (773) 227-1700

info@chicagometalsupply.com

Estimate #: