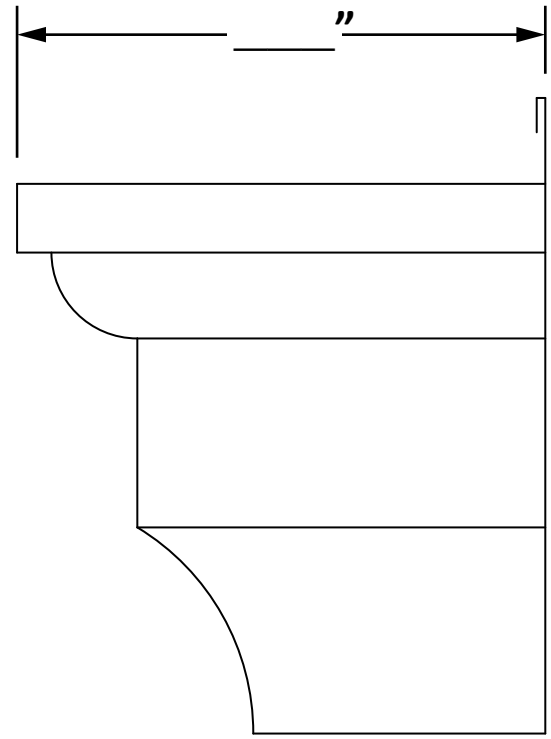
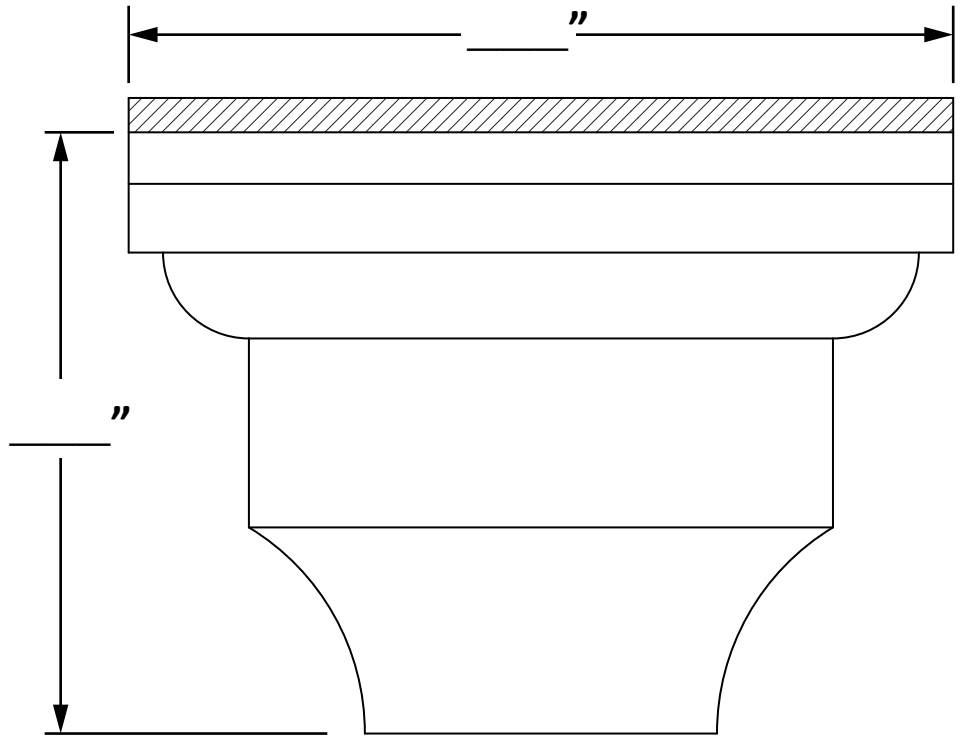


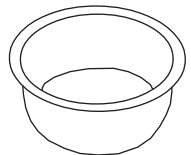
# Conductor Head

Sheets Used: \_\_\_\_\_

Due Date:



Job #:



**\*Drop outlet:**

- Round: 3" \_\_\_ 4" \_\_\_ 5" \_\_\_ 6" \_\_\_
- Octagonal: 2"x3" \_\_\_ 3"x4" \_\_\_ 4"x5" \_\_\_ 5"x6" \_\_\_

Conductor Head quantity: \_\_\_\_\_ pcs.

- MATERIAL**
- Aluminum Kynar .032 or \_\_\_\_\_  Color \_\_\_\_\_
  - Galvanized G-90 24 Gauge
  - Stainless Steel Type 304
  - Painted Steel Kynar 24/26Gauge  Color \_\_\_\_\_
  - Copper 16/20 oz or \_\_\_\_\_
  - Patina 3000 16/20 oz \_\_\_\_\_
  - Brown Copper 16/20 oz \_\_\_\_\_  Light  Dark
  - SMS Stainless 24G \_\_\_\_\_
  - Zinc \_\_\_\_\_

<b>CUSTOMER APPROVAL</b>	
<input type="checkbox"/> Approved for Fabrication	Authorized Customer Signature _____
Job Address: _____	
PO #: _____	Order taken by: _____
Date Ordered: _____	Phone #: _____



**CHICAGO METAL SUPPLY**  
and fabrication, inc.  
*For a Timeless Look*

4940 W. Grand Ave. P: (773) 227-6200  
Chicago, IL 60639 F: (773) 227-1700

info@chicagometalsupply.com

Completed By: \_\_\_\_\_

Estimate #: