

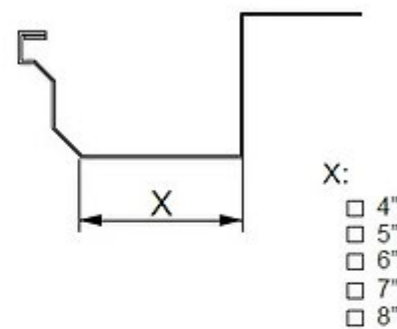
Box Gutter

* Custom sizes available

Sheets Used:



Side View:



Drop outlet:

- Round: 3" ____ 4" ____ 5" ____ 6" ____
- Octagonal: 2"x3" ____ 3"x4" ____ 4"x5" ____ 5"x6" ____
- Rectangular: 2"x3" ____ 3"x4" ____ 4"x5" ____ 5"x6" ____

Downspouts:

Rectangular

- 2"x3" ____ pcs.
- 3"x4" ____ pcs.
- 4"x5" ____ pcs.
- 5"x6" ____ pcs.

Round Corrugated

- 3" ____ pcs.
- 4" ____ pcs.
- 5" ____ pcs.
- 6" ____ pcs.

Hangers:

- Camlock ____ pcs.
- Soldered Fascia ____ pcs.
- Mech. Fascia/ Roof ____ pcs.

Elbows:

Rectangular A

- 2"x3" ____ pcs.
- 3"x4" ____ pcs.
- 4"x5" ____ pcs.
- 5"x6" ____ pcs.

Round Corrugated

- 3" ____ pcs.
- 4" ____ pcs.
- 5" ____ pcs.
- 6" ____ pcs.

Rectangular B

- 2"x3" ____ pcs.
- 3"x4" ____ pcs.
- 4"x5" ____ pcs.
- 5"x6" ____ pcs.

MATERIAL

- Aluminum Kynar .032 or ____ Color ____
- Galvanized G-90 24 Gauge
- Stainless Steel Type 304
- Painted Steel Kynar 24/26Gauge Color ____
- Copper 16/20 oz or ____
- Patina 3000 16/20 oz ____
- Brown Copper 16/20 oz ____ Light Dark
- SMS Stainless 24G ____
- Zinc ____

CUSTOMER APPROVAL

Approved for Fabrication

Authorized Customer Signature

Job Address:

PO #:

Order taken by:

Date Ordered:

Phone #:



CHICAGO METAL SUPPLY

and fabrication, inc.
For a Timeless Look

4940 W. Grand Ave. P: (773) 227-6200

Chicago, IL 60639 F: (773) 227-1700

info@chicagometalsupply.com

Completed By:

Estimate #:

Due Date:

Job #: