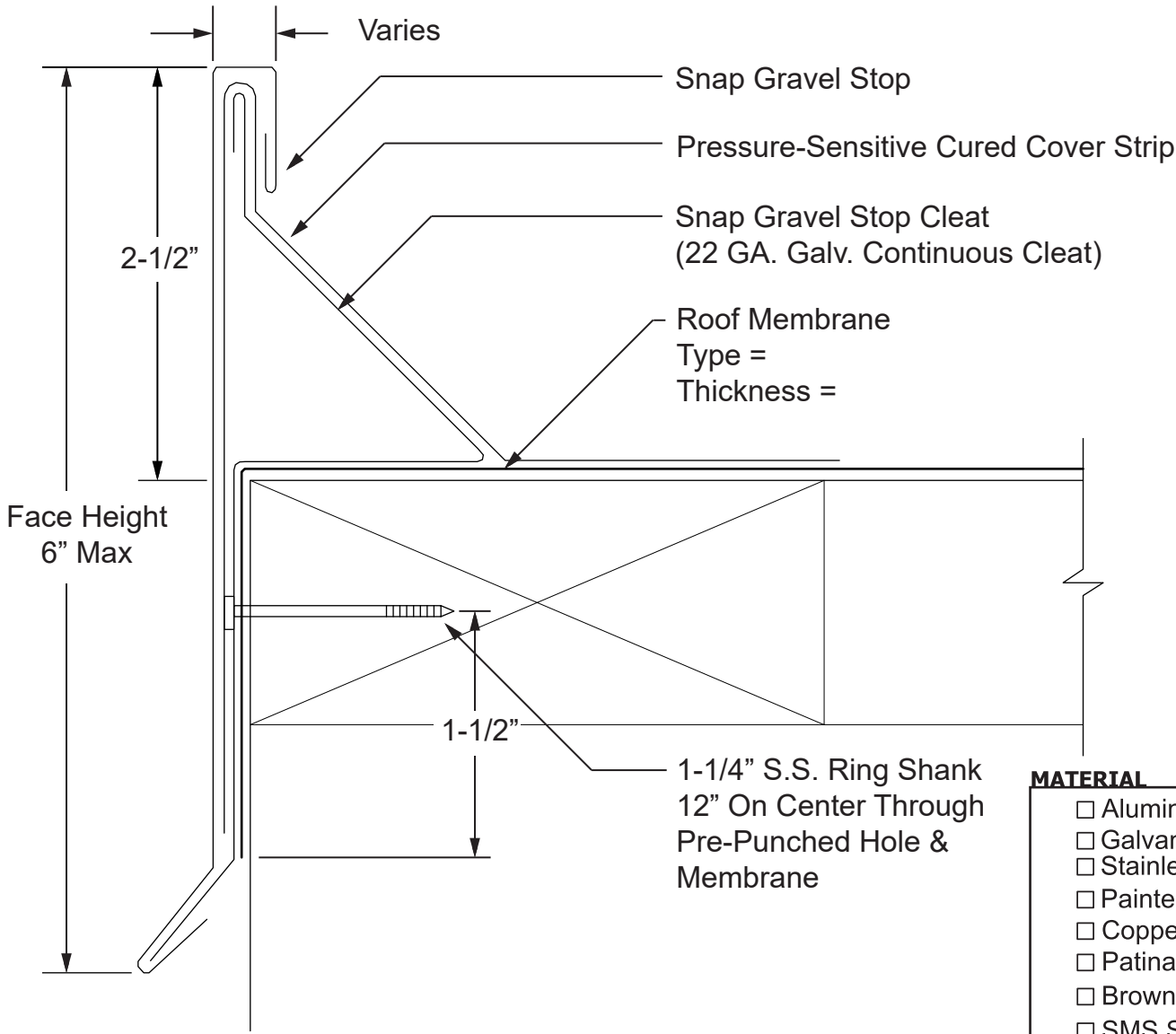


ES-1 Snap Gravel Stop

Sheets Used: _____

Due Date: _____

Job #: _____



Snap Gravel Stop
 Pressure-Sensitive Cured Cover Strip
 Snap Gravel Stop Cleat
 (22 GA. Galv. Continuous Cleat)
 Roof Membrane
 Type = _____
 Thickness = _____

1-1/4" S.S. Ring Shank
 12" On Center Through
 Pre-Punched Hole &
 Membrane

- MATERIAL**
- Aluminum Kynar .032 or _____ Color _____
 - Galvanized G-90 24 Gauge
 - Stainless Steel Type 304
 - Painted Steel Kynar 24/26Gauge Color _____
 - Copper 16/20 oz or _____
 - Patina 3000 16/20 oz _____
 - Brown Copper 16/20 oz _____ Light Dark
 - SMS Stainless 24G _____
 - Zinc _____

CUSTOMER APPROVAL
 Approved for Fabrication _____
 Authorized Customer Signature _____

Job Address: _____

PO #: _____ Order taken by: _____

Date Ordered: _____ Phone #: _____

CHICAGO METAL SUPPLY
 and fabrication, inc.
For a Timeless Look

4940 W. Grand Ave. P: (773) 227-6200
 Chicago, IL 60639 F: (773) 227-1700

info@chicagometalsupply.com

Completed By: _____

Estimate #: _____