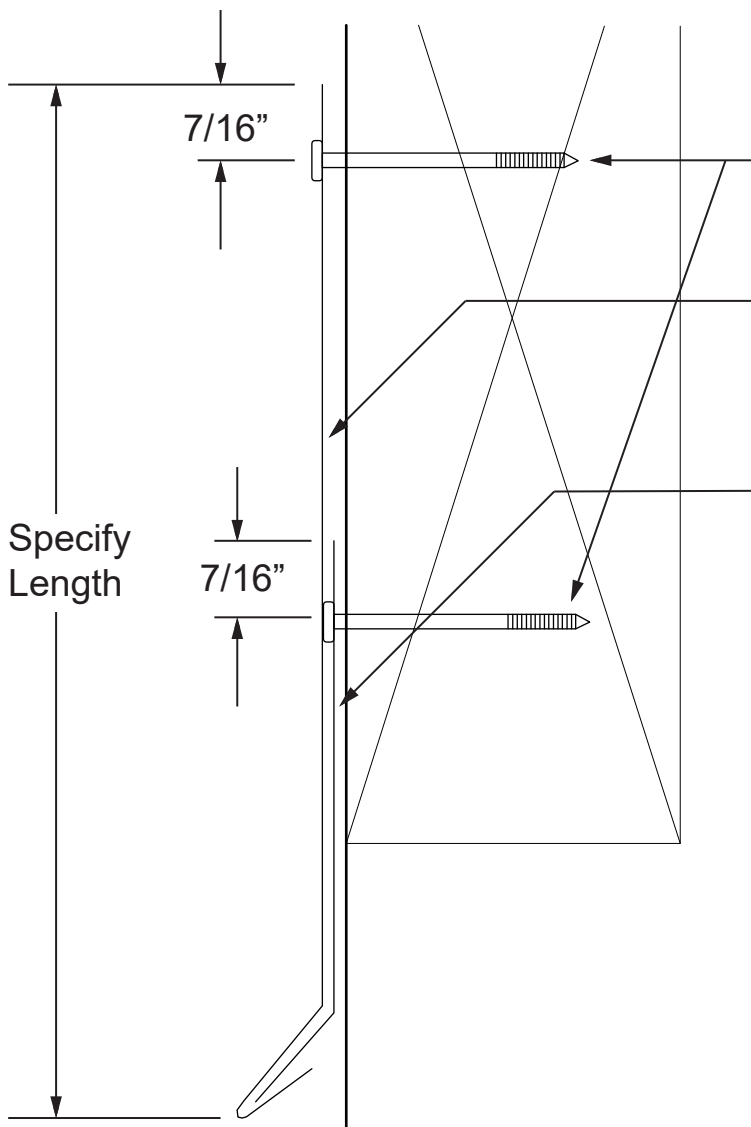


ES-1 Fascia Extender

Sheets Used:

Due Date:



1-1/4" S.S. Ring Shank
12" on Center through Pre-punched Hole and Membrane

Fascia Extender

Fascia Extender Cleat
(22 GA. Galv. Continuous Cleat)
2-1/2" Standard or Specify Length

Job #:

MATERIAL

- Aluminum Kynar .032 or _____ Color _____
- Galvanized G-90 24 Gauge
- Stainless Steel Type 304
- Painted Steel Kynar 24/26Gauge Color _____
- Copper 16/20 oz or _____
- Patina 3000 16/20 oz _____
- Brown Copper 16/20 oz _____ Light Dark
- SMS Stainless 24G _____
- Zinc _____

CUSTOMER APPROVAL
 Approved for Fabrication _____
 Authorized Customer Signature _____

Job Address: _____

PO #: _____ Order taken by: _____

Date Ordered: _____ Phone #: _____



CHICAGO METAL SUPPLY
and fabrication, inc.
For a Timeless Look

4940 W. Grand Ave. P: (773) 227-6200
Chicago, IL 60639 F: (773) 227-1700

info@chicagometalsupply.com

Completed By:

Estimate #: